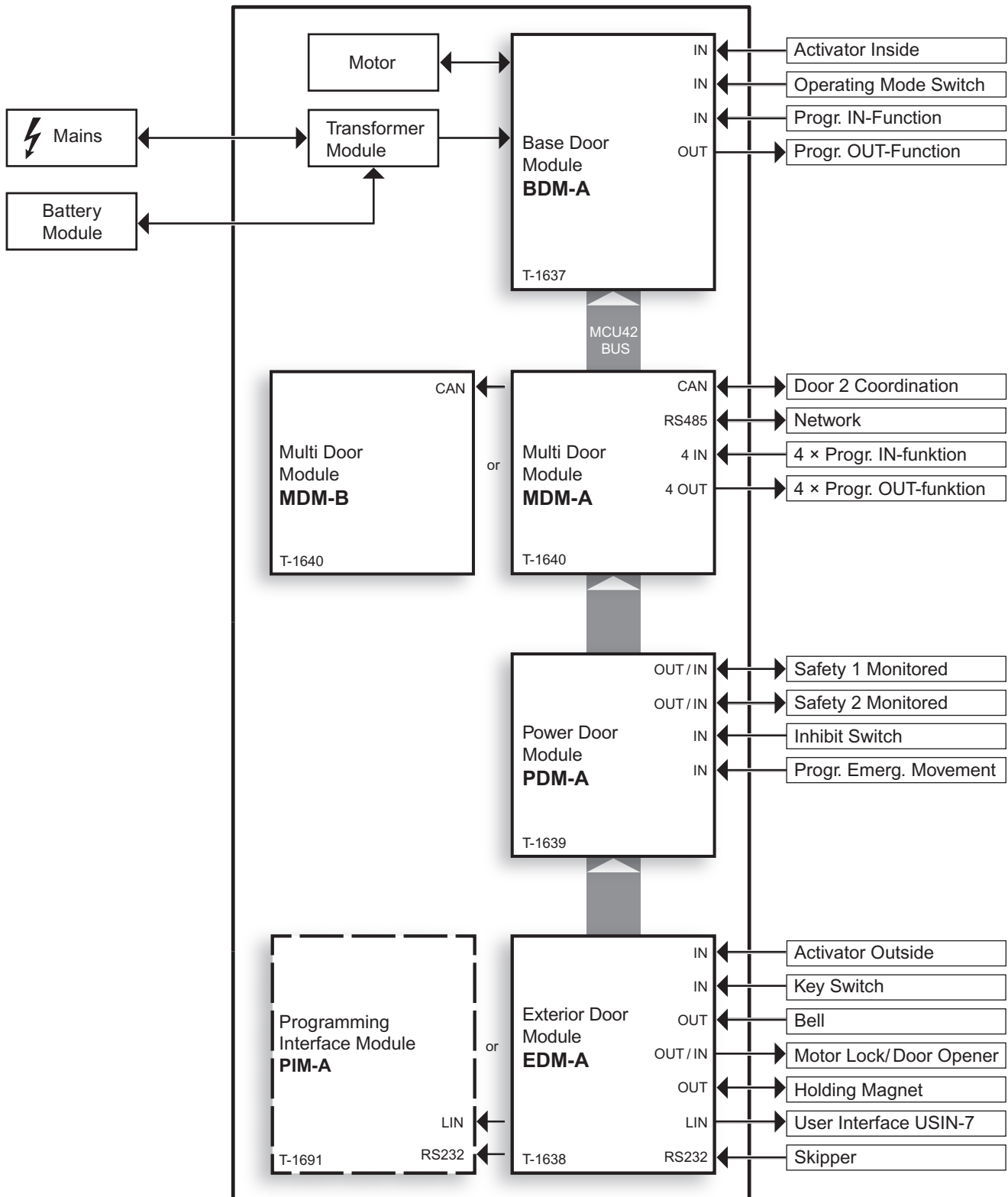


| | | |
|---------------------|-------------------------------------|--|
| T-1839 e | Components Overview | <p style="text-align: center;">★★★★★ TORMAX AUTOMATIC</p> <p>TORMAX CH-8180 Bülach www.tormax.com info@tormax.com</p> |
| Area of application | TORMAX 1201 Swing Door Drive | |
| Release | 17 November 2020 | |
| Use | Planning | |

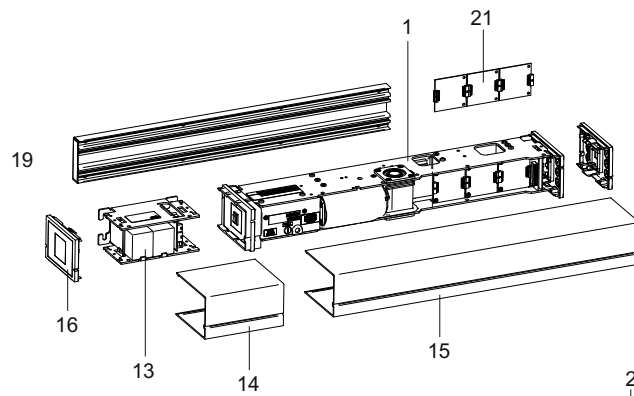
Module Connections

EDM, PDM and MDM (each maximum 1 pc). are optional modules and may be arranged in any order. If the module EDM-A is not present, the programming interface module PIM-A is used temporarily for programming with Skipper or the user interface USIN-7.

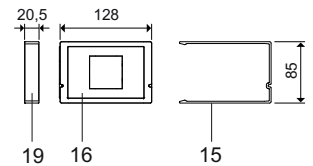
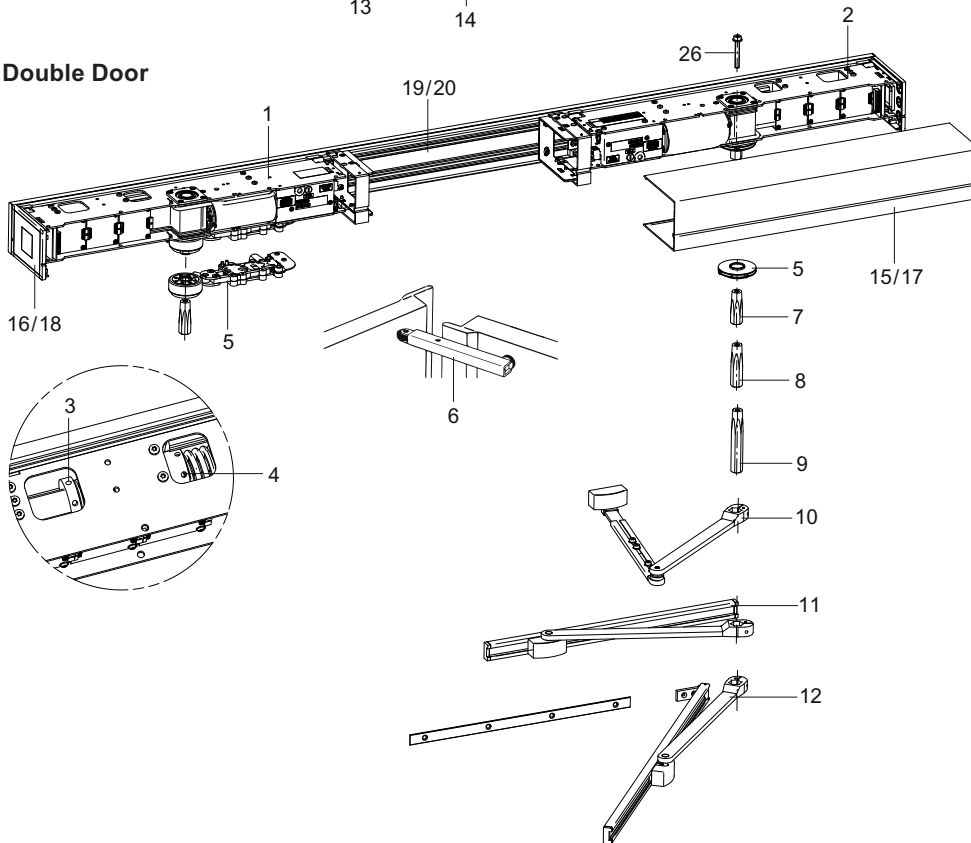


Components Overview

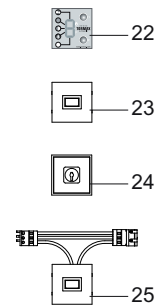
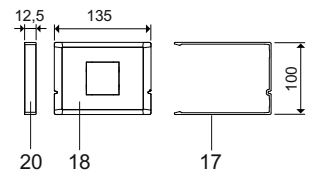
Single Door



Double Door



With mechanical door coordinator MDC



- | | |
|---|-----------------------------------|
| 1 Primary drive | 14 Battery unit casing 85 mm |
| 2 Secondary drive | 15 Drive casing 85 mm |
| 3 Adjustment of spring force | 16 Side plate 85 × 128 mm |
| 4 Adjustment of internal open end stop | 17 Drive casing 100 mm |
| 5 Mechanical door coordinator MDC (different for primary and secondary drive) | 18 Side plate 100 × 135 mm |
| 6 Pushing flap for MDC | 19 Mounting profile 85 × 20,5 mm |
| 7 Shaft 63 mm | 20 Mounting profile 100 × 12,5 mm |
| 8 Shaft 82 mm | 21 Upgrade modules MDM, PDM, EDM |
| 9 Shaft 123 mm | 22 User interface USIN-7-A |
| 10 Standard linkage 290/350 mm | 23 Operating mode switch USIN-3-A |
| 11 Sliding lever pull type 350/500 mm | 24 Lock for user interface |
| 12 Sliding lever pull type 350 mm, panic device | 25 On/Off-switch MSW-A |
| 13 Battery unit | 26 Drive shaft screw |

T1839_2e