

# TS 90 Impulse

## EN 3/4

Cam-action  
door closer

## High-tech for the global market

The DORMA TS 90 Impulse combines technical superiority with outstanding value, and unites advanced design with convenient functionality – all on the basis of its heart-shaped cam.

With its installation versatility and inherent functional reliability, it is ideal for virtually any application. DORMA TS 90 Impulse:

Certified to ISO 9001

### Benefits

#### For the trade

- Unique DORMA cam action technology for the entry-level segment, compliant with EN 1154.
- Complete package for easy stocking.
- Sets new standards to open up new markets.

#### For the installer/fabricator

- Easy to fix without mounting backplate.
- Non-handed.
- Four installation arrangements with one model.
- Proven DORMA quality for long service life.

#### For the architect/specifier

- Proven technology of the heart-shaped cam.
- Cost-efficient slide channel door closer for interior doors.

#### For the user

- Convenient, low-resistance opening with fully controlled closing.
- Two regulating valves for precise adjustment of closing speed.
- Available with hold-open and cushioned limit stay options.

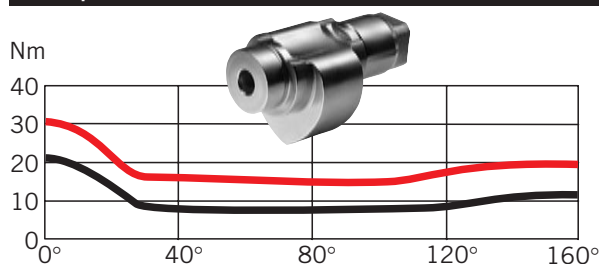
Data and features		TS 90 Impulse
Closing force	Size	EN 3/4
Standard doors <sup>1)</sup>	≤ 1100 mm	●
External doors, outward opening <sup>1)</sup>		●
Fire and smoke check doors <sup>1)</sup>		●
Non-handed		●
Arm assembly	Slide channel	●
Two independent valves for closing speed adjustment		●
Cushioned limit stay (mechanical)		○
Delayed action		–
Hold-open		○
Weight in kg		1.7
Dimensions in mm	Length	246
	Overall depth	46
	Height	57
Door closer compliant with EN 1154		●
CE mark for construction products		●

● yes – no ○ option

<sup>1)</sup> In the case of particularly heavy doors and doors that have to close against wind pressure, we recommend the DORMA TS 93.



### Force profiles



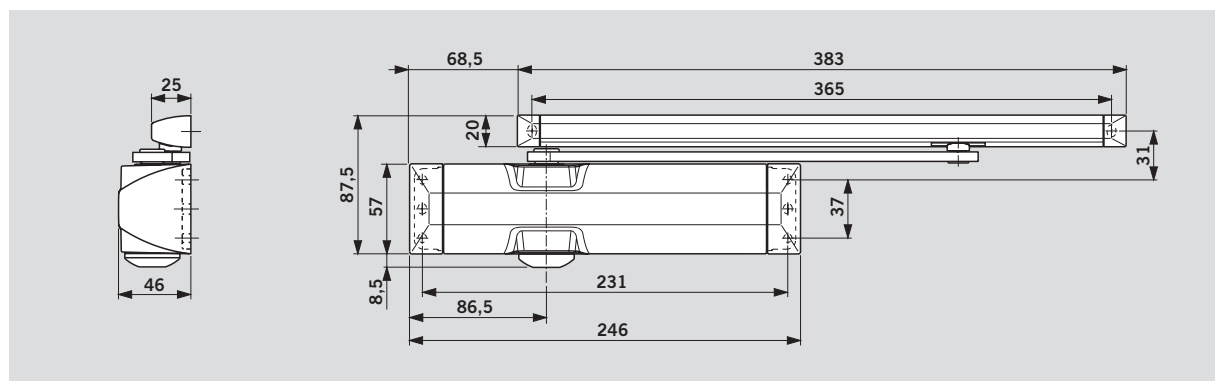
The heart-shaped cam and the linear drive mechanism of the DORMA TS 90 Impulse ensure that the resistance encountered decreases almost instantly with the door opening action – so even children, the elderly and people with disabilities have no problem in opening the door.

User-friendly and reliable closing is also ensured by the delayed increase in the actuating torque at the “latching” end of the sweep.

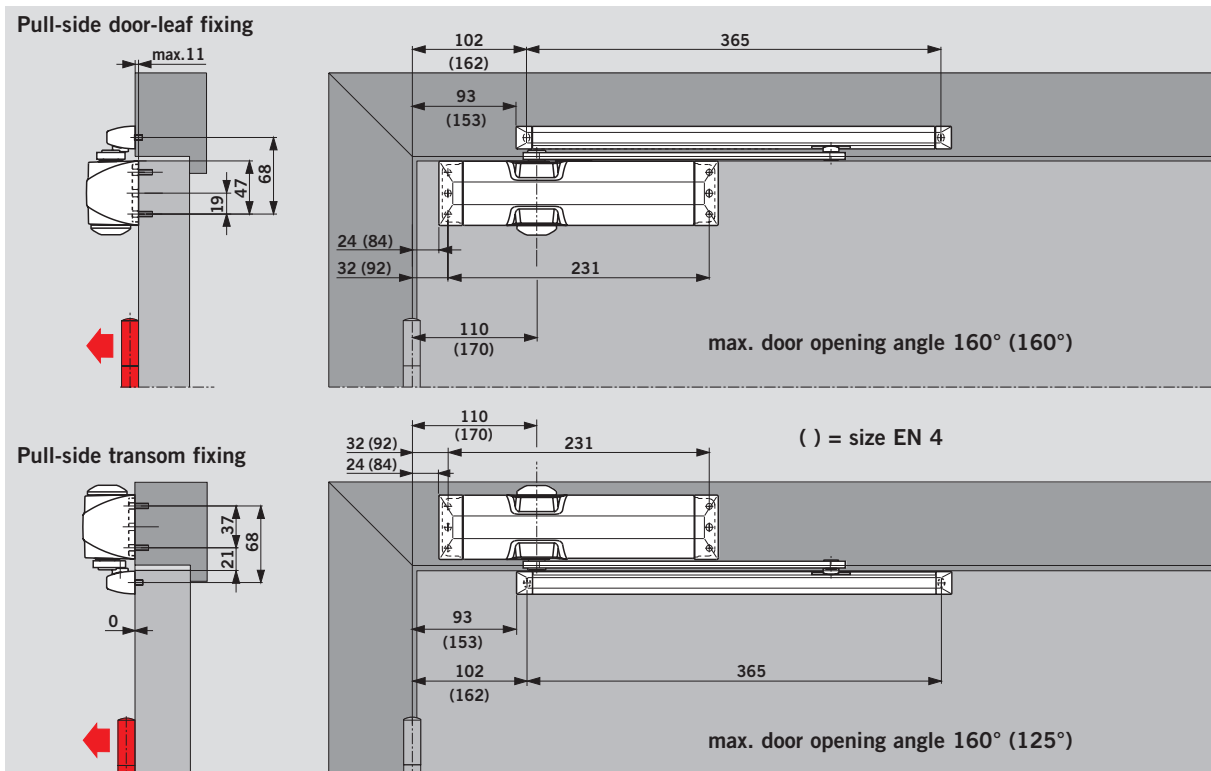
#### Force profile

DORMA TS 90 Impulse (Spring strength: EN 3)

- Opening force
- Closing force

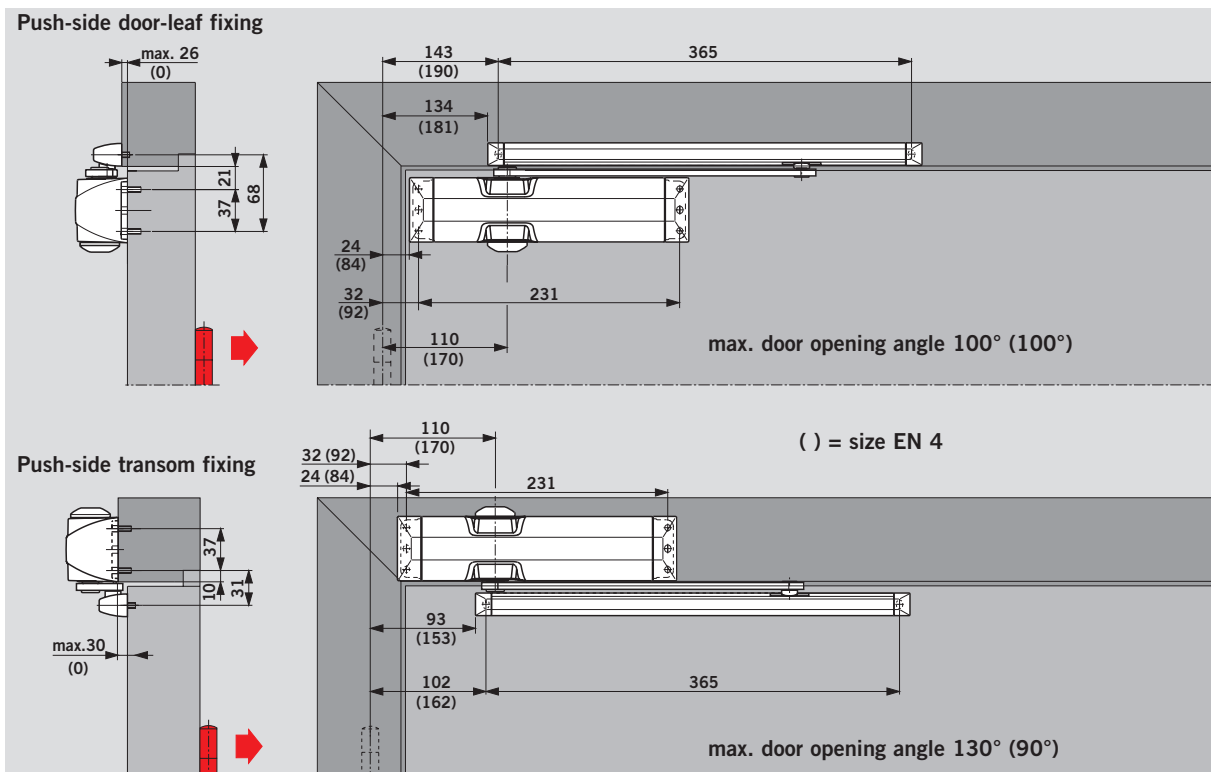


## Pull-side fixing (example: LH/ISO 6 door; mirror image for RH/ISO 5 door)



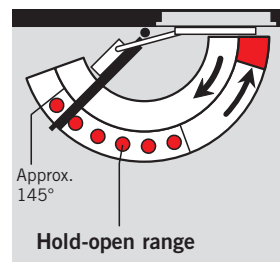
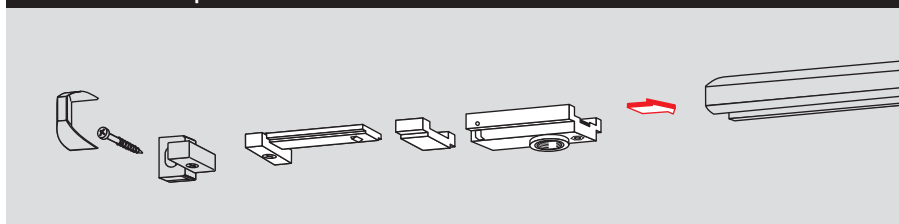
Depending on the structural conditions, the door opening angle is likely to be limited. It is recommended to install the cushioned limit stay or position a door stop at this point. **A door stop must be installed in the case of fire and smoke check doors.**

## Push-side fixing (example: RH/ISO 5 door; mirror image for LH/ISO 6 door)



Depending on the structural conditions, the door opening angle is likely to be limited. It is recommended to install the cushioned limit stay or position a door stop at this point.

### Mechanical hold-open device

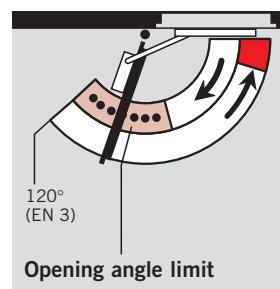
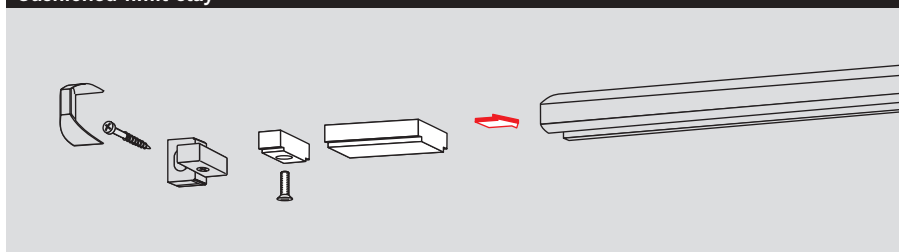


The hold-open device enables doors to be precisely held without any fall-back up to an opening angle of approx. 145°.

The hold-open device is suitable for both LH and RH doors and is designed for retrofitting to the slide channel.

**Not for fire and smoke doors.**

### Cushioned limit stay



Cushioned limit stay for retrofitting by insertion in the slide channel. Adjustable between 80° and max. 120°.

Use of the cushioned limit stay helps to prevent a normally opened door from colliding with adjacent walls.

**The cushioned limit stay is not an overload protection device and in many cases is no substitute for a door stop.**

Only for the use of TS 90 Impulse size EN 3.

### Standard equipment and accessories

	<p>TS 90 Impulse cam-action door closer</p> <p>Size EN 3/4</p>	<p>Cushioned limit stay</p> <p>10002000</p>	<p>Mechanical hold-open device</p> <p>10002100</p>
<p>Slide channel</p> <p>102004xx</p>	<p><input type="checkbox"/></p>	<p>#</p>	<p>#</p>

Order No.:

= Closer body with arm, complete

# = Accessory

**Colour**

silver 01  
white (sim. to RAL 9016) 11  
special colour 09

**xx**

**Colour**

silver  
 white (sim. to RAL 9016)  
 special colour \_\_\_\_ (sim. to RAL \_\_\_\_)

**Make**

DORMA TS 90 Impulse

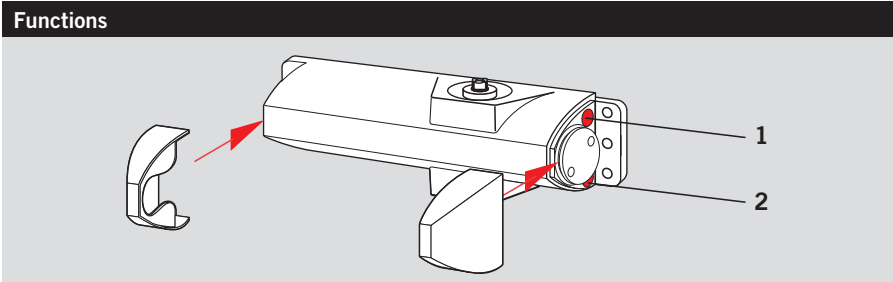
### Specification text

Universal cam-action door closer with linear drive and rapidly decreasing opening torque; closing speed adjustable in two independent ranges.

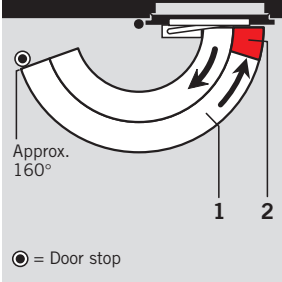
Closing force = Size EN 3/4. Non-handed. Compliant with EN 1154.

**Accessories**

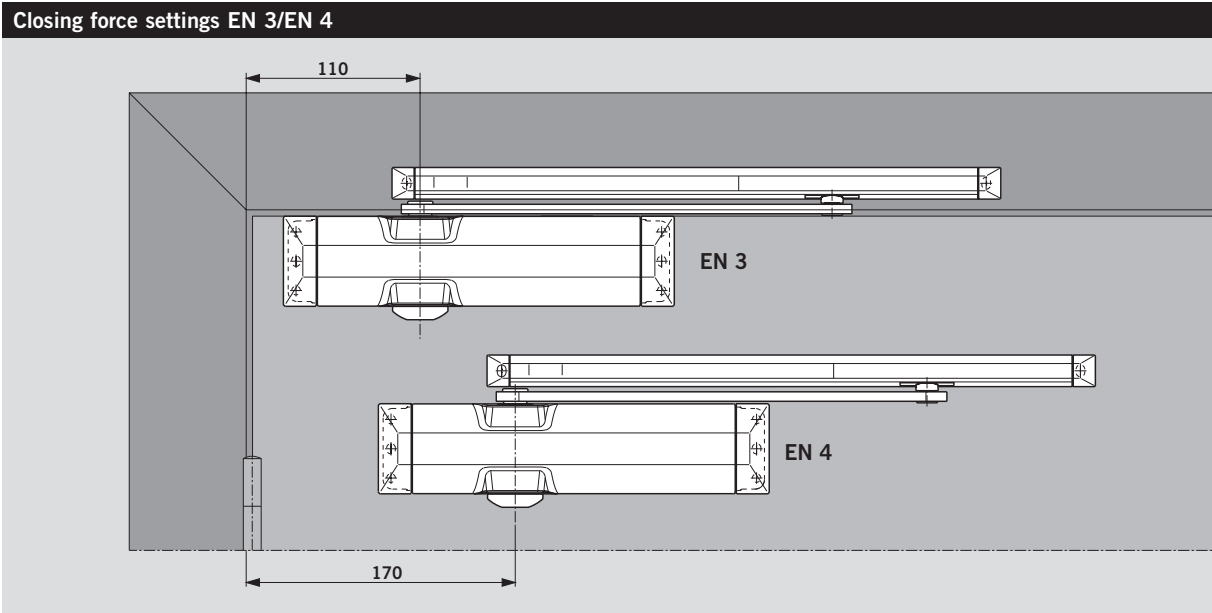
Hold-open device  
 Cushioned limit stay



The **closing speed** of the DORMA TS 90 Impulse is adjustable in two independent ranges at the valves indicated.



- 1 Infinitely variable closing speed in the range 160° – 15°
- 2 Infinitely variable closing speed in the range 15° – 0°



Door width	size setting
≤ 950 mm	EN 3
≤ 1100 mm	EN 4

The TS 90 Impulse size setting is selected for the door width by the closer.



4 021226 131828 7



**Door Control**



**Automatic**



**Glass fittings and Accessories**



**Security Time and Access (STA)**



**Movable Walls**

**Door Control Division worldwide**

**Central Europe**

DORMA GmbH + Co. KG  
DORMA Platz 1  
D-58256 Ennepetal  
Tel. +49 2333 793-0  
Fax +49 2333 793-495

**Australasia**

DORMA Door Controls Pty. Ltd.  
46-52, Abbott Road  
Hallam/Victoria 3803  
Australia  
Tel. +61 3979 63555  
Fax +61 3979 63955

**China/Hong Kong**

DORMA Door Controls  
(Suzhou) Co. Ltd.  
No. 9, Hong Feng Road  
Suzhou Singapore Industrial Park  
Suzhou, 215021  
P.R. of China  
Tel. +86 512 67612481  
Fax +86 512 67614582

DORMA Door Controls Pte. Ltd.  
Room 701, Technology Plaza  
651 King's Road  
North Point  
Hong Kong  
Tel. +852 25034632  
Fax +852 28875370

**Emerging Markets**

DORMA GmbH + Co. KG  
DORMA Platz 1  
D-58256 Ennepetal  
Tel. +49 2333 793-0  
Fax +49 2333 793-495

DORMA Door Controls (Pty.) Ltd.  
Kings Court  
4A Mineral Crescent  
ZA-2000 Crown/Gauteng  
South Africa  
Tel. +27 11 8300280  
Fax +27 11 8300291

**Far East**

DORMA Far East Pte. Ltd.  
No. 31 Gul Lane  
Singapore 629425  
Tel. +65 6268 7633  
Fax +65 6265 7995

**France**

DORMA France S.A.S.  
Europarc  
42, rue Eugène Dupuis  
F-94046 Créteil  
Tel. +33 1 41942400  
Fax +33 1 41942401

**Gulf**

DORMA Gulf Door Controls FZE  
Jebel Ali Free Zone South  
Plot No. S 20135  
Road No. SW 301 G  
P.O. Box 17268  
Dubai – United Arab Emirates  
Tel. +971 4 8020400  
Fax +971 4 8869100 / 8869101

**North America**

DORMA Architectural Hardware  
DORMA Drive, Drawer AC  
Reamstown, PA 17567-0411  
Tel. +1 800 5238483  
Fax +1 800 2749724

**Scanbalt**

DORMA Sverige AB  
F O Petersons Gata 24  
SE-421 31 Västra Frölunda  
Tel. +46 31 289520  
Fax +46 31 281739

**South America**

DORMA Sistemas de Controles  
para Portas Ltda.  
Av. Piracema, 1400  
Centro Empresarial Tambore  
CEP 06400-933 Barueri/  
São Paulo, Brasil  
Tel. +55 11 46899280  
Fax +55 11 46899215

**South-East Europe**

DORMA AUSTRIA GmbH  
Pebering Strass 22  
A-5301 Eugendorf  
Tel. +43 6225 284880  
Fax +43 6225 28491

**South Europe**

DORMA Italiana S.r.l.  
Via. Canova 44/46  
I-20035 Lissone (MI)  
Tel. +39 039 244031  
Fax +39 039 24403310  
DORMA Ibérica, S.A.  
Camino San Martin de la Vega, 4  
E-28500 Arganda del Rey  
(Madrid)  
Tel. +34 91 8757850  
Fax +34 91 8757881

**UK/Ireland**

DORMA UK Ltd.  
Wilbury Way  
Hitchin  
GB-Hertfordshire SG4 0AB  
Great Britain  
Tel. +44 1462 477600  
Fax +44 1462 477601