



CDVI

Security to Access



DWAA

**DIGIWAY SR and DIGIWAY Plus
Articulated Arm Installer Manual**



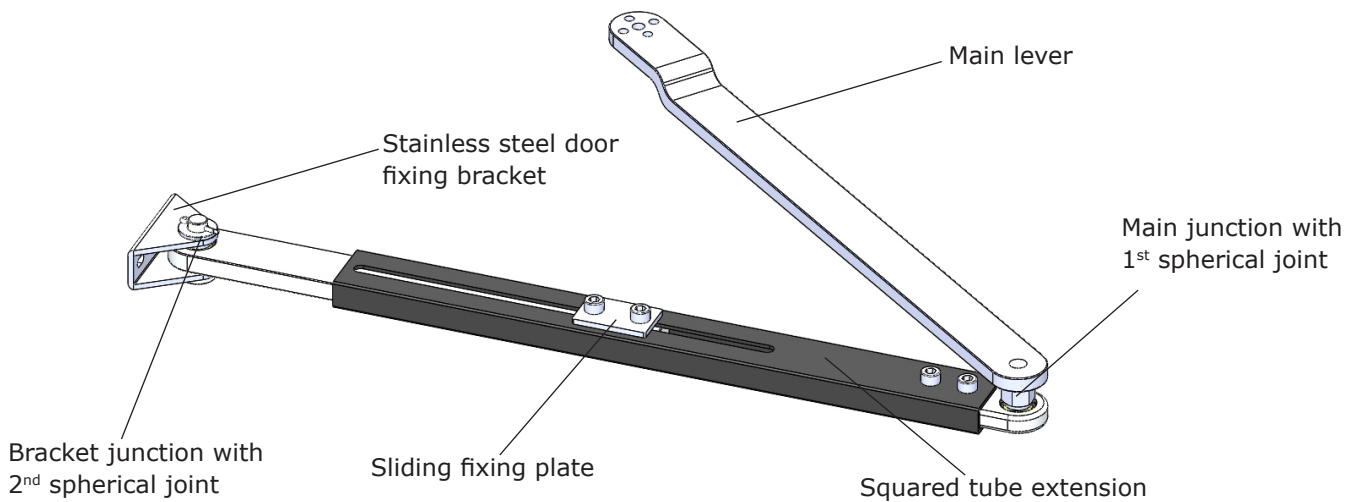
EN

1] INTRODUCTION

The new articulated arm for the DIGIWAY SR and DIGIWAY Plus is manufactured in nickel plated iron and painted. It is composed by a nickel plated main lever with 5 holes for fixing to the motor shaft. It has an adjustable forearm in 2 different dimensions: 350 mm and 550 mm.

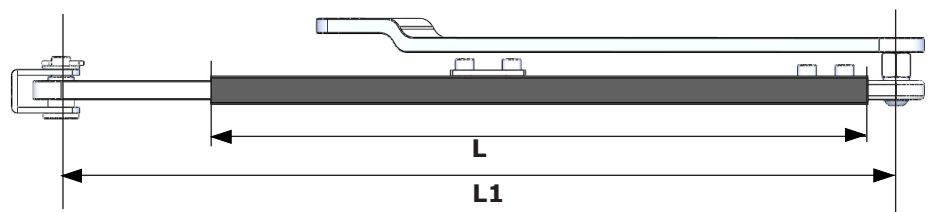
Thanks to the 2 spherical joints the arm allows installations with disaligned fixing points.



P/N	Description	F-code	Notes
DWAA35	Articulated arm for DSR/DWP L=350	F0543000217	Full arm
DWAA55	Articulated arm for DSR/DWP L=550	F0543000218	Full arm
DWAA55E	Extension for adjustable arm L=550	F0543000219	Only squared tube extension



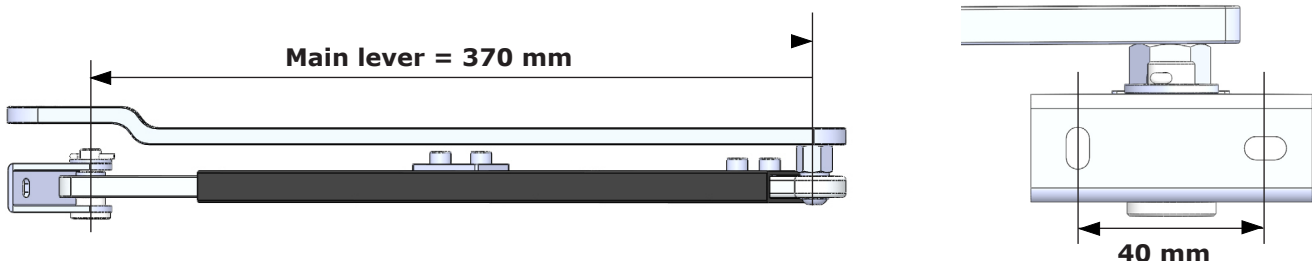
The adjustable forearm can be adjusted to fit to several door and frame requirements.

The DWAA55 allows the DIGIWAY to be installed to door sets with thicker walls (deeper reveals).



Type	Dimension	Squared tube extension	Min length	Max length
DWAA35	L = 350 mm		L1 = 375 mm	L1 = 575 mm
DWAA55	L = 550 mm		L1 = 575 mm	L1 = 775 mm

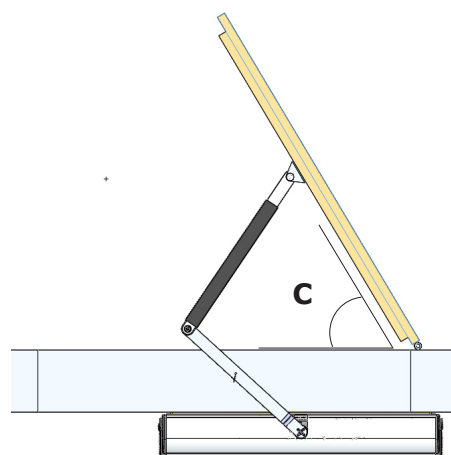
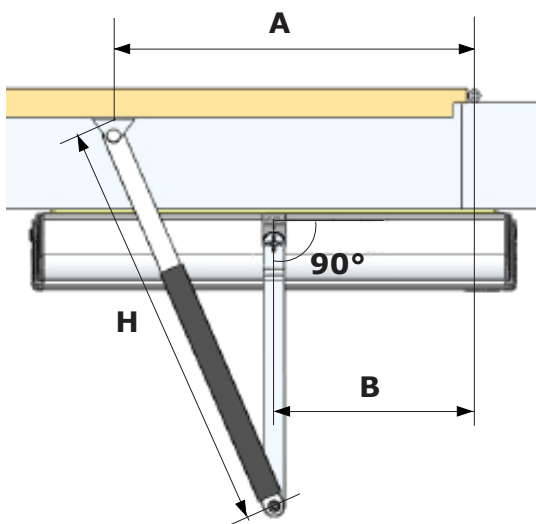
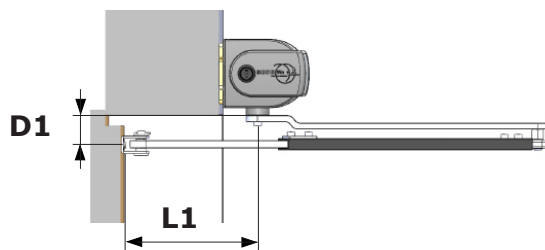
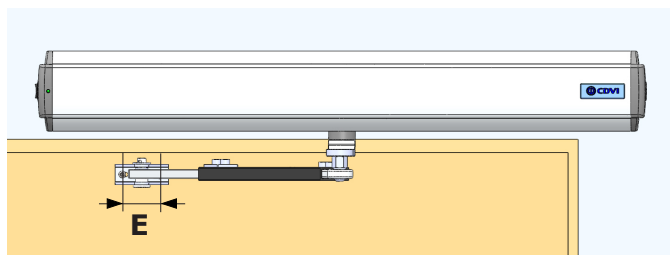
Further dimensions:



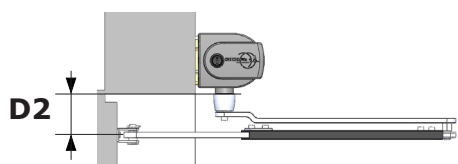
2] INSTALLATION OPTIONS - DIGIWAY SR & Plus

Type I Installation:

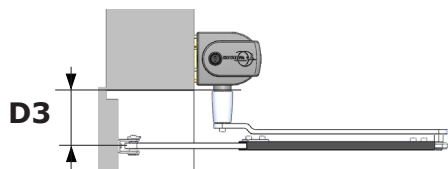
For most door types, type I installation gives the most options for mounting taking into consideration the wall depth (reveal). Each set of dimensions allow for various wall depths with opening angles between 105 and 110 degrees.



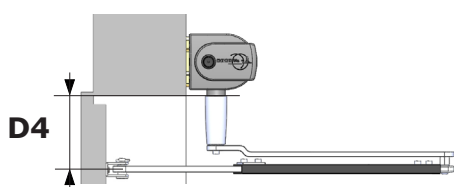
Extension DWSE30



Extension DWSE



Extension DWSE80



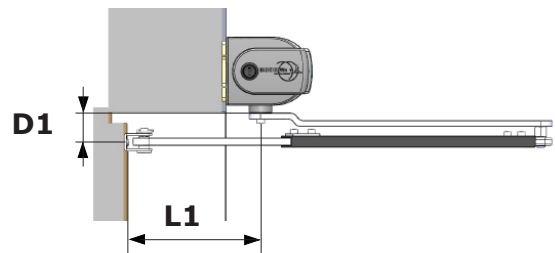
Description		Value
E	Door bracket holes distance	40 mm
A	Door hinge - door bracket distance	See tables p.4
L1	Distance motor axis - door (thickness of the wall)	See tables p.4
B	Door hinge - motor axis	See tables p.4
H	Length of the adjustable arm	See tables p.4
C	Max opening angle of the door	See tables p.4
D1	Distance motor shaft - door bracket (no extension)	38,5 mm
D2	Distance motor shaft - door bracket (w/extension DWSE30)	68,5 mm
D3	Distance motor shaft - door bracket (w/extension DWSE)	93,5 mm
D4	Distance motor shaft - door bracket (w/extension DWSE80)	118,5 mm

The following tables show the recommended mounting dimensions for the DIGIWAY Plus and DIGIWAY SR referencing to B, L1, H and C shown in the previous diagrams.

B = 270 mm			
Distance Motor Axis - Door (thickness of the wall)	Door hinge - Door bracket distance	Length of the adjustable arm	Max opening angle of the door
L1	A	H	C
60	660	550	115
90	660	570	110
120	580	550	120
150	620	590	110
180	580	595	118
210	500	580	140

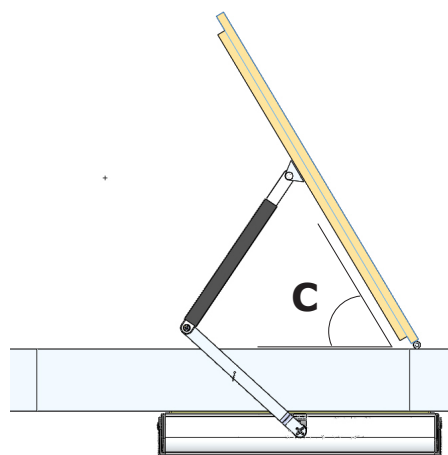
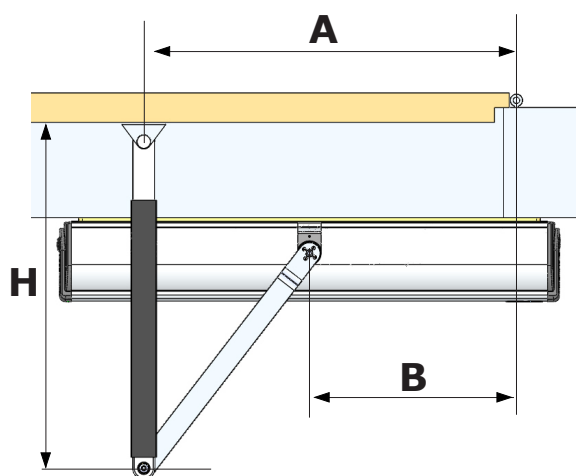
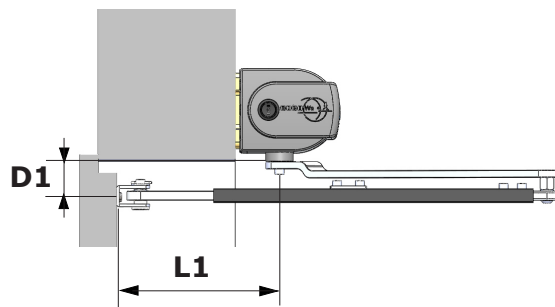
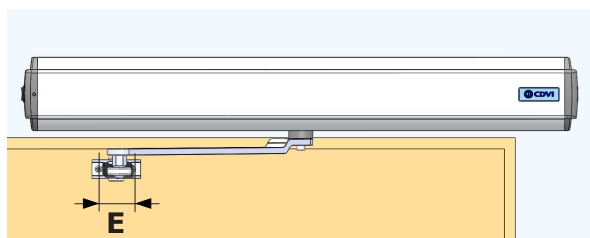
B = 300 mm			
Distance Motor Axis - Door (thickness of the wall)	Door hinge - Door bracket distance	Length of the adjustable arm	Max opening angle of the door
L1	A	H	C
60	580	490	110
90	660	550	100
120	580	530	110
150	580	555	113
180	580	580	108
210	540	590	117
240	540	600	110

B = 330 mm			
Distance Motor axis - Door (thickness of the wall)	Door hinge - Door bracket distance	Length of the adjustable arm	Max opening angle of the door
L1	A	H	C
60	500	430	110
90	500	450	110
120	500	480	113
150	500	480	113
180	540	525	107
210	540	575	107
240	500	590	115



Type II Installation:

Type 2 installation is for fitting to doors requiring a maximum of 300mm wall width (reveal) or when the door requires firmer final close for example over a strike release or to overcome intumescent strips or door seals.



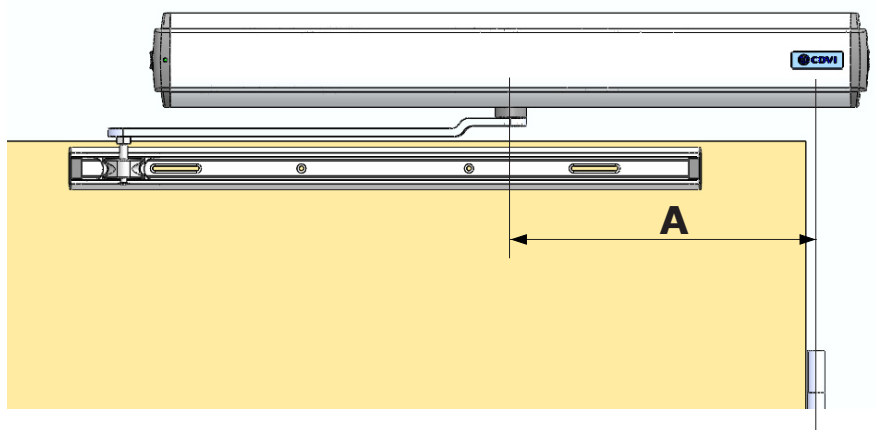
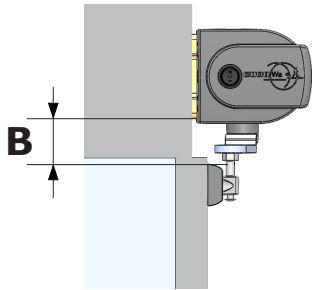
B = 270 mm			
Distance Motor axis - Door (thickness of the wall)	Door hinge - Door bracket distance	Length of the adjustable arm	Max opening angle of the door
L1	A	H	C
120	420	410	140
150	460	420	115
180	460	450	110
210	460	480	110

B = 300 mm			
Distance Motor axis - Door (thickness of the wall)	Door hinge - Door bracket distance	Length of the adjustable arm	Max opening angle of the door
L1	A	H	C
120	460	410	110
150	460	440	110
180	460	470	110
210	460	495	110
240	460	525	115
270	460	560	115
300	460	590	115

B = 330 mm			
Distance Motor axis - Door (thickness of the wall)	Door hinge - door bracket distance	Length of the adjustable arm	Max opening angle of the door
L1	A	H	C
120	460	420	105
150	460	420	105
180	500	430	95
210	500	495	95
270	500	550	95
300	500	580	95

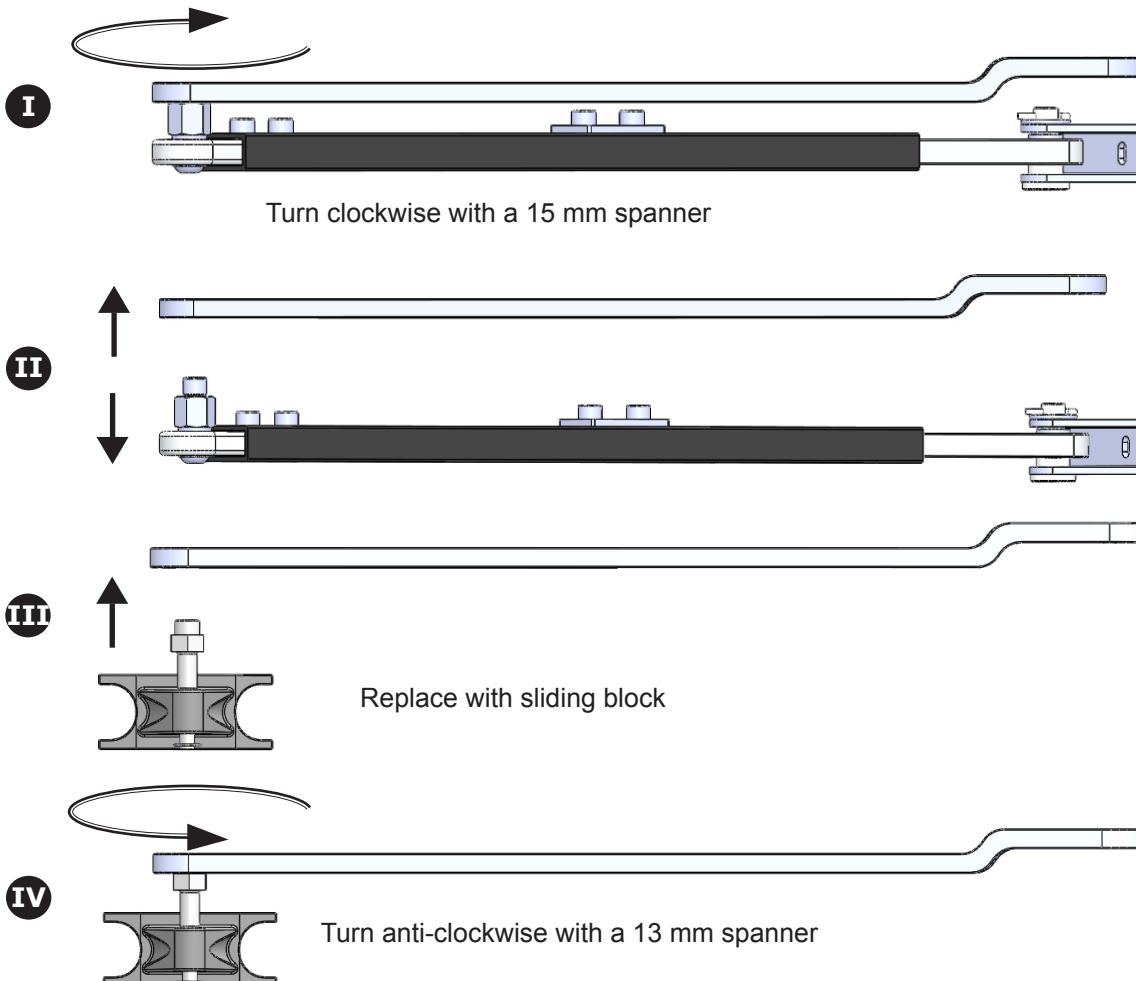
3] UNIVERSAL ARM

Thanks to the universal arm kit, the main lever of the articulated arm can also be used for a sliding arm configuration.



Param.	Value (mm)	Description
A	280	Door hinge – Motor axis distance
B	35	Backplate – Guide distance

4] ARTICULATED ARM INTO SLIDING ARM CONVERSION



Notes

Dotted lines for writing notes.



CDVI Group

FRANCE (Headquarters)
Phone: +33 (0) 1 48 91 01 02

CDVI FRANCE + EXPORT

+33 (0) 1 48 91 01 02
www.cdvi.com

CDVI AMERICAS [CANADA - USA]

+1 (450) 682 7945
www.cdvi.ca

CDVI BENELUX [BELGIUM - NETHERLANDS - LUXEMBOURG]

+32 (0) 56 73 93 00
www.cdviBenelux.com

CDVI GERMANY

+49 (0) 175 2932 901
www.cdvi.de

CDVI TAIWAN

+886 (0) 42471 2188
www.cdviChina.cn

CDVI SUISSE

+41 (0) 21 882 18 41
www.cdvi.ch

CDVI CHINA

+86 (0) 10 84606132/82
www.cdviChina.cn

CDVI IBÉRICA [SPAIN - PORTUGAL]

+34 (0) 935 390 966
www.cdviIberica.com

CDVI ITALIA

+39 (0) 321 90 573
www.cdvi.it

CDVI MAROC

+212 (0) 5 22 48 09 40
www.cdvi.ma

CDVI SWEDEN [SWEDEN - DENMARK - NORWAY - FINLAND]

+46 (0) 31 760 19 30
www.cdvi.se

CDVI UK [UNITED KINGDOM - IRELAND]

+44 (0) 1628 531300
www.cdvi.co.uk

CDVI POLSKA

+48 (0) 12 659 23 44
www.cdvi.com.pl

Manufactured by: CDVI Wireless SPA

Via Piave, 23 - 31020 S.Pietro di Feletto - Italy
+39 (0) 438 450860
info@erone.com
www.erone.com

All the information contained within this document (pictures, drawings, features, specifications and dimensions) could be perceptibly different and can be changed without prior notice. - Printed in Italy - Feb 2021